

VÁLVULAS DE BOLA / BALL VALVES

V. BOLA 3 Pzas. ACERO CARBONO PN-100. EXTREMOS BSP-NPT-SW-BW. MONTAJE 3 PIECES BALL VALVE CARBON STEEL PN-100. BSP-NPT-SW-BW ENDS. ISO5211



VALVESEAL
valves & sealing solutions

TF-3PBVCS-HT-MD



MATERIALES / CONSTRUCTION :

No.	Pieza Part	Material Material
1	Cuerpo Body	EN 1.0619
4	Bola Ball	Inox A351 CF8M S.Steel A351 CF8M
5	Eje Stem	Inox AISI-316 S.Steel AISI-316
9	Terminales Ends	EN 1.0619
11*	Junta cuerpo Body gasket	Grafito Graphite
12*	Asiento Seat	PTFE + 25% Carbon
13*	Arandela Thrust washer	Grafito Graphite
13-1*	Arandela Thrust washer	PTFE + 25% Glass Fiver
14	Empaquetadura Packing	Grafito Graphite
15	Casquillo Gland bush	Inox AISI-304 S.Steel AISI-304
19	Palanca Handle	Inox AISI-304 S.Steel AISI-304
21	Funda maneta Handle cover	Plástico Plastic
22	Tuerca empaquetadura packing nut	Inox AISI-304 S.Steel AISI-304
24	Tuerca maneta Handle nut	Inox AISI-304 S.Steel AISI-304
28	Bloqueo Locking device	Inox AISI-304 S.Steel AISI-304
29	Arandela elástica elastic washer	Inox AISI-301 S.Steel Aaisi-301
30	Lengüeta Tab washer	Inox AISI-304 S.Steel AISI-304
31	Tórica O'ring	VITON®
32*	Arandela Packing follower	PTFE + 25% Glass Fiver
33	Pasador Stop pin	Inox AISI-304 S.Steel AISI-304
35	Tornillo Screw	Inox AISI-304 S.Steel AISI-304
36	Arandela Washer	Inox AISI-304 S.Steel AISI-304

UTILIZACIÓN / APPLICATION :

Industria química, petroquímica y farmacéutica, instalaciones hidráulicas, vapor.
Chemical and pharmaceutical industries, petrochemical industries, hydraulic installation, steam.

CARACTERÍSTICAS GENERALES / GENERAL CHARACTERISTICS :

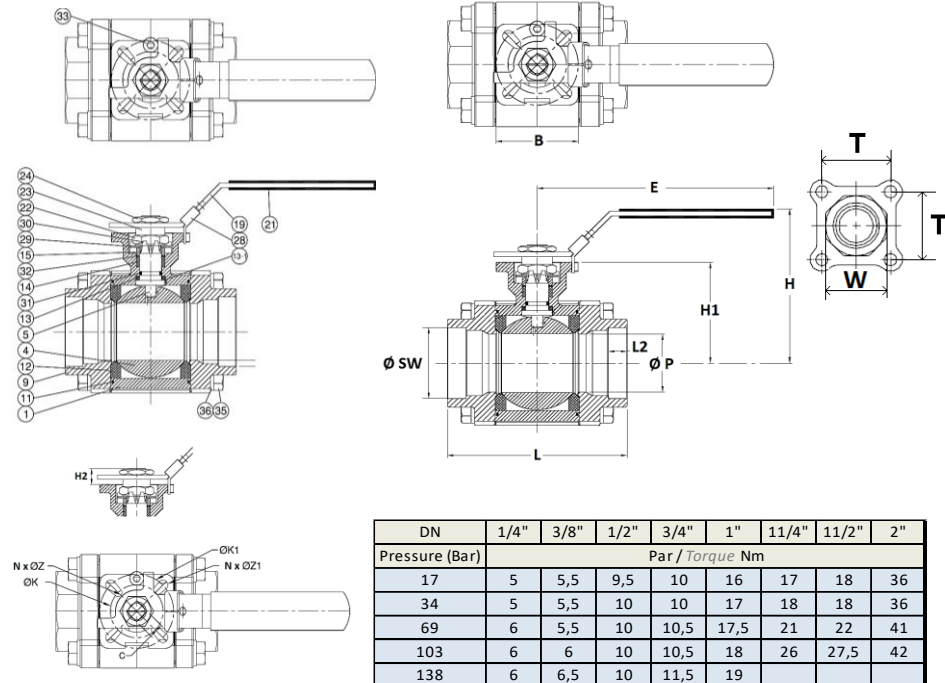
Medidas / Range: DN- 1/4" - 2".
Paso Total / Full Bore.
Eje anti-expulsión / Anti blow-out stem
Asientos PTFE + CARBON / PTFE filled with Carbon seat.
Fire Safe / Fire safe according to ISO 10479:2010 and API 607 V.6
Tornillos encapsulados/ Fully encapsuled bolts
Sistema de bloqueo / Locking device.
Brida ISO 5211 montaje directo / Direct Mounting Pad ISO 5211

NORMATIVAS / STANDARDS :

Fabricación / Manufacture according to ISO 9001 : 2015
Directiva CE / Directive 2014/68/EU: For liquids and gas of Group 1 Risk Category II, CE 0038 or CE 0343 marking
Construcción / construction according to EN 12516-1 Class 600
Diseño / designing according to ASME B16.34
Pruebas de presión / Pressure Tests according to EN12266-1, rate A
Rosca BSP / Female cylindrical BSP threaded ends according to ISO 228-1
Rosca NPT / NPT threaded ends according to ANSI B1.20.1
Soldar SW / S.W. ends according to ASME B16.11 Schedule 40
Soldar BW / B.W. ends according to ASME B36.10 Schedule 40
ATEX / ATEX: Group II Category 2 G/2D Zone 1 & 21 Zone 2 & 22 (optional marking)

CONDICIONES DE SERVICIO / WORKING CONDITIONS :

Máxima presión de trabajo / Maximum Working Pressure : 100 bar.
Temperatura máxima de trabajo / Maximum Working Temperature : - 30 °C / + 220 °C.
Uso con Vapor / Steam : 18 bar max.
Uso con Vacío / Vacuum use : 10⁻² torr



DIMENSIONES / DIMENSIONS :

DN ND	Ø D	L	B	L2	E	H	H1	T	W	ØSW	Kvs	Peso Weigh
1/4"	10	68,8	24,5	10,0	131	71	41	35	29,5	14,1	13	0,85
3/8"	10	68,8	24,5	10,0	131	71	41	35	29,5	17,6	13,4	0,85
1/2"	15	72,5	24,5	10,0	131	71	41	35	30	21,7	31,3	0,8
3/4"	20	84,2	31,4	13,0	131	74	44	41,3	36	27,3	57,9	1,25
1"	25	105,3	41,3	13,0	165	95	58	48	44,5	33,9	94,3	2,1
1 1/4"	32	111,0	48,4	13,0	165	99	62,5	56,2	54	42,8	158	2,9
1 1/2"	38	127,3	56,3	13,0	200	124	63,6	63,6	60	48,7	228	4,3
2"	50	153,4	72	16,0	200	133	79,2	79,9	76	61,3	415	7,9

H2	C	Ø K	ISO	Nx ØZ	ØK1	ISO1	Nx QØZ1
9,5	9	36	F03	4x6	42	F04	4x6
9,5	9	36	F03	4x6	42	F04	4x6
9,5	9	36	F03	4x6	42	F04	4x6
9,5	9	36	F03	4x6	42	F04	4x6
12	11	42	F04	4x6	50	F05	4x7
12	11	42	F04	4x6	50	F05	4x7
14	14	50	F05	4x7,5	70	F07	4x9,5
14	14	50	F05	4x9,5	70	F07	4x9,5