

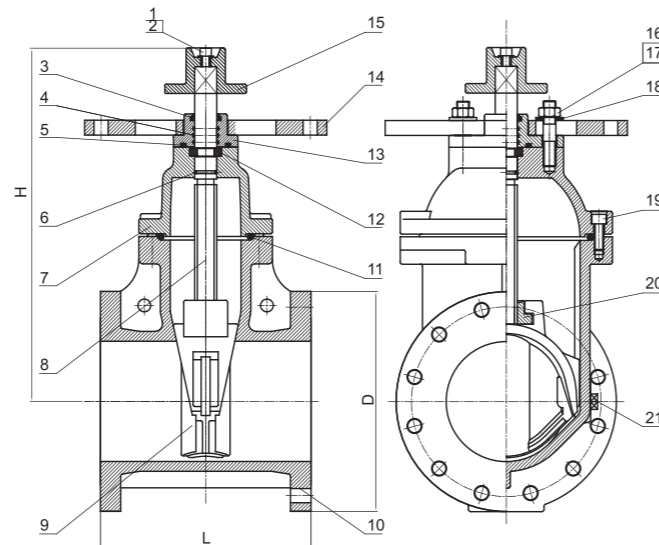
300 PSI NRS Flanged End Gate Valve

Model TF-RSGV-F300-NRS

Resilient Wedge NRS Gate Valve – Flanged End

Technical Features

- Flange Standard: ASME/ANSI B 16.1 Class 125
ASME/ANSI B 16.42 Class 150
BS EN 1092-2 PN 16
GB / T9113.1
- Sizes: 2"(FM)
2.5", 3", 4", 5", 6", 8", 10", 12" (FM UL)
14", 16", 18", 20", 24"
- Face to Face Standard: ASME B16.10
- Approvals: UL, FM
- Maximum Working Pressure: 300PSI
- Maximum Testing Pressure: 600PSI
- Pressure conforms to FM 1120 / 1130, UL 262, ULC / ORD C262-92
- Working Temperature Range: 0~80°C / 32~176°F
- Coating Details: Epoxy or Coating upon request
- NPT plug on body with 2 operating nuts



Dimensions

Size	DN	L	D	H
2½"	65	190	178	292
3"	80	203	191	322
4"	100	229	229	342
5"	125	254	254	412
6"	150	267	279	448
8"	200	292	343	534
10"	250	330	406	635
12"	300	356	483	720

Valve Material List

NO.	Name	Material
1	Flat Washer	Steel 1045 or Stainless Steel 304
2	Inner Hexagon Screw	Steel 1045 or Stainless Steel 304
3	Sealing Gland	EPDM
4	O-Ring	EPDM
5	Sealing Ring	EPDM
6	O-Ring	EPDM
7	Bonnet	Ductile Iron
8	Stem	Stainless Steel 304
9	Disc	Ductile Iron +EPDM
10	Body	Ductile Iron
11	Sealing Ring	EPDM
12	Retaining Ring	C95400
13	Gland	Ductile Iron
14	Terminal Pad	Ductile Iron
15	Link Block	Ductile Iron
16	Nut	Stainless Steel 304 or Steel 1045
17	Studs	Stainless Steel 304 or Steel 1045
18	Washer	Steel 1045
19	Inner Hexagon Screw	Steel 1045
20	Master Screw	C95400
21	Plug	C95400