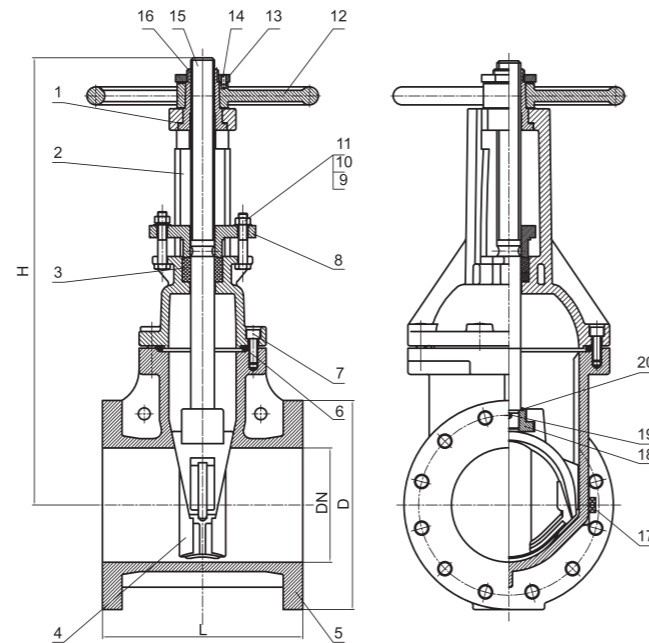


Resilient Wedge OS & Y Gate Valve – Flanged End

Technical Features

- Flange Standard: ASME/ANSI B 16.1 Class 125
ASME/ANSI B 16.42 Class 150
BS EN 1092-2 PN 16
GB / T9113.1
- Sizes: 2"(FM)
2.5", 3", 4", 5", 6", 8", 10", 12" (FM UL)
14", 16", 18", 20", 24"
- Face to Face Standard : ASME B 16.10
- Approvals: UL, FM
- Maximum Working Pressure: 300PSI
- Maximum Testing Pressure: 600 PSI
- Pressure conforms to FM 1120 / 1130, UL 262, ULC / ORD C262-92
- Working Temperature Range: 0~80°C / 32~176°F
- Coating Details: Epoxy or Coating upon request
- NPT plug on body with 2 operating nuts



Dimensions

Size	DN	L	D	H
2½"	65	190	178	370
3"	80	203	191	420
4"	100	229	229	447
5"	125	254	254	547
6"	150	267	279	607
8"	200	292	343	754
10"	250	330	406	890
12"	300	356	483	1031

Valve Material List

NO.	Name	Material	Standard
1	Gasket	C95400	ASTM B148
2	Bonnet	Ductile Iron	ASTM A536 Grade 65-45-12
3	Packing	Graphite	
4	Disc	Ductile Iron +EPDM	ASTM A536 Grade 65-45-12+ASTM D2000
5	Body	Ductile Iron	ASTM A536 Grade 65-45-12
6	Sealing Ring	EPDM	ASTM D2000
7	Bolt	Steel 1045	Bolt / Stainless Steel 304 / ASTM A276
8	Gland	Ductile Iron	ASTM A536 Grade 65-45-12
9	Nut	Steel 1045	Nut / Stainless Steel 304 / ASTM A276
10	Flat Washer	Steel 1045	Flat Washer / Stainless Steel 304 / ASTM A276
11	Bolt	Steel 1045	Bolt / Stainless Steel 304 / ASTM A276
12	Handwheel	Ductile Iron	ASTM A536 Grade 65-45-12
13	Lock Nut	C95400	ASTM B148
14	Locating Screw	Stainless Steel 304	ASTM A276
15	Stem	Stainless Steel 304	ASTM A276
16	Stem Nut	C95400	ASTM B148
17	Plug	C95400	ASTM B148
18	Lifting Nut	CF8	ASTM A351
19	Pin	Stainless Steel 304	ASTM A276
20	Sealing Ring	EPDM	ASTM D2000