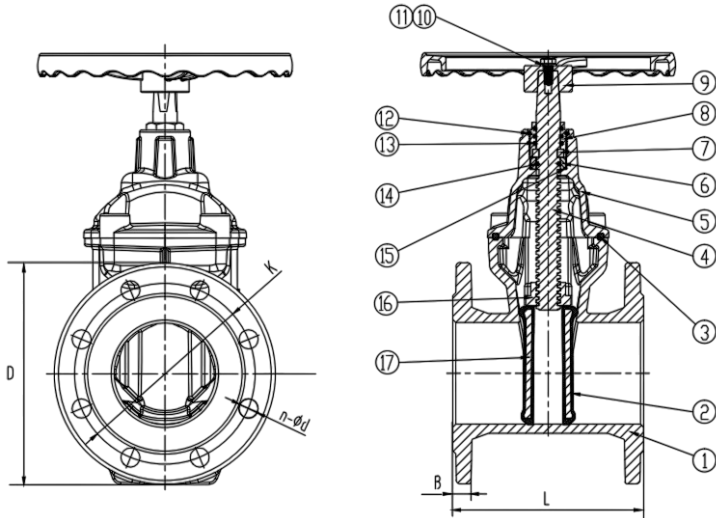


RESILIENT SEAT GATE VALVE – MODEL: FIG01



PRODUCTS STANDARDS

Design	BS5163 / EN1171 / EN1074
Flange	BS4504 / EN 1092-2
Face to face	EN558-1
Test	EN 12266-1
Working Pressure	PN10/ PN16/ PN25
Max Temp.	80°C
Operator	Handwheel,Cap,Gearbox,Actuator

NO.	MAIN PART	MATERIAL
1	Body	DUCTILE IRON
2	Disc	EPDM+DUCTILE IRON
3	Bonnet Gasket	NBR
4	Stem	SS420
5	Bonnet	DUCTILE IRON
6	Thrust Washer	Brass
7	Holding Ring	Brass
8	Thrust Nut	Brass
9	Handwheel/Cap	DUCTILE IRON
10	Bolt	SS304
11	Flat washer	SS304
12	Dustcover	NBR
13/14/15	O Ring	NBR
16	Stem Nut	Brass
17	Core	DUCTILE IRON

SIZE	Outline (mm)			Valve Flange dimensions (mm)			
	L (face to face)			EN1092-2, PN10 / PN 16 / PN25			
DN	BS5163	DIN-F4	DIN-F5	D	K	n-d	B
DN40	165	140	240	150	110	4-Ø19	19
DN50	178	150	250	165	125	4- Ø 19	19
DN65	190	170	270	185	145	4- Ø 19 / 4- Ø 19 / 8- Ø 19	19
DN80	203	180	280	200	160	8- Ø 19 / 8- Ø 19 / 8- Ø 19	19
DN100	229	190	300	220 / 220 / 235	180 / 180 / 190	8- Ø 19 / 8- Ø 19 / 8- Ø 23	19
DN125	254	200	325	250 / 250 / 270	210 / 210 / 220	8- Ø 19 / 8- Ø 19 / 8- Ø 28	19
DN150	267	210	350	285 / 285 / 300	240 / 240 / 250	8- Ø 23 / 8- Ø 23 / 8- Ø 28	19 / 19 / 20
DN200	292	230	400	340 / 340 / 360	295 / 295 / 310	8- Ø 23 / 12- Ø 23 / 12- Ø 28	20 / 20 / 22
DN250	330	250	450	405 / 405 / 425	350 / 355 / 370	12- Ø 23 / 12- Ø 28 / 12- Ø 31	22 / 22 / 24.5
DN300	356	270	500	460 / 460 / 485	400 / 410 / 430	12- Ø 23 / 12- Ø 28 / 16- Ø 31	24.5 / 24.5 / 27.5
DN350	381	290	550	520 / 520 / 555	460 / 470 / 490	16- Ø 23 / 16- Ø 28 / 16- Ø 34	26.5 / 26.5 / 32
DN400	406	310	600	580 / 580 / 620	515 / 525 / 550	16- Ø 28 / 16- Ø 31 / 16- Ø 37	28 / 28 / 32
DN450	432	330	650	640 / 640	565 / 585	20- Ø 28 / 20- Ø 31	30 / 30
DN500	457	350	700	670 / 715	620 / 650	20- Ø 28 / 20- Ø 34	26.5 / 31.5
DN600	508	390	800	780 / 840	725 / 770	20- Ø 31 / 20- Ø 37	30 / 36
DN700	610	430	900	895 / 910	840 / 840	24- Ø 31 / 24- Ø 37	32.5 / 39.5
DN800	660	470	1000	1015 / 1025	950 / 950	24- Ø 34 / 24- Ø 41	35 / 43
DN900	711	510	1100	1125 / 1125	1050 / 1050	28- Ø 34 / 28- Ø 40	46.5 / 46.5
DN1000	811	550	1200	1255 / 1255	1160 / 1170	28- Ø 37 / 28- Ø 43	50 / 50
DN1200	960	630	1400	1485 / 1485	1380 / 1390	32- Ø 40 / 32- Ø 49	57 / 57

Designs and specifications shown are subject to change without notice due to our continuing program of product development.