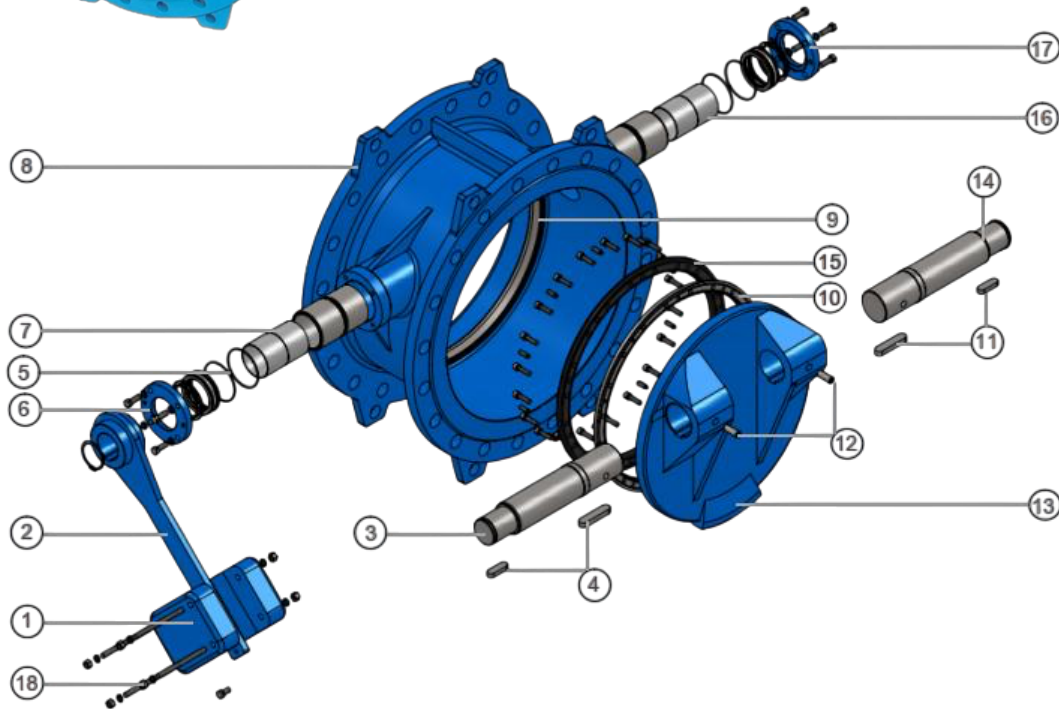


TITLING CHECK VALVE – MODEL: FIG02



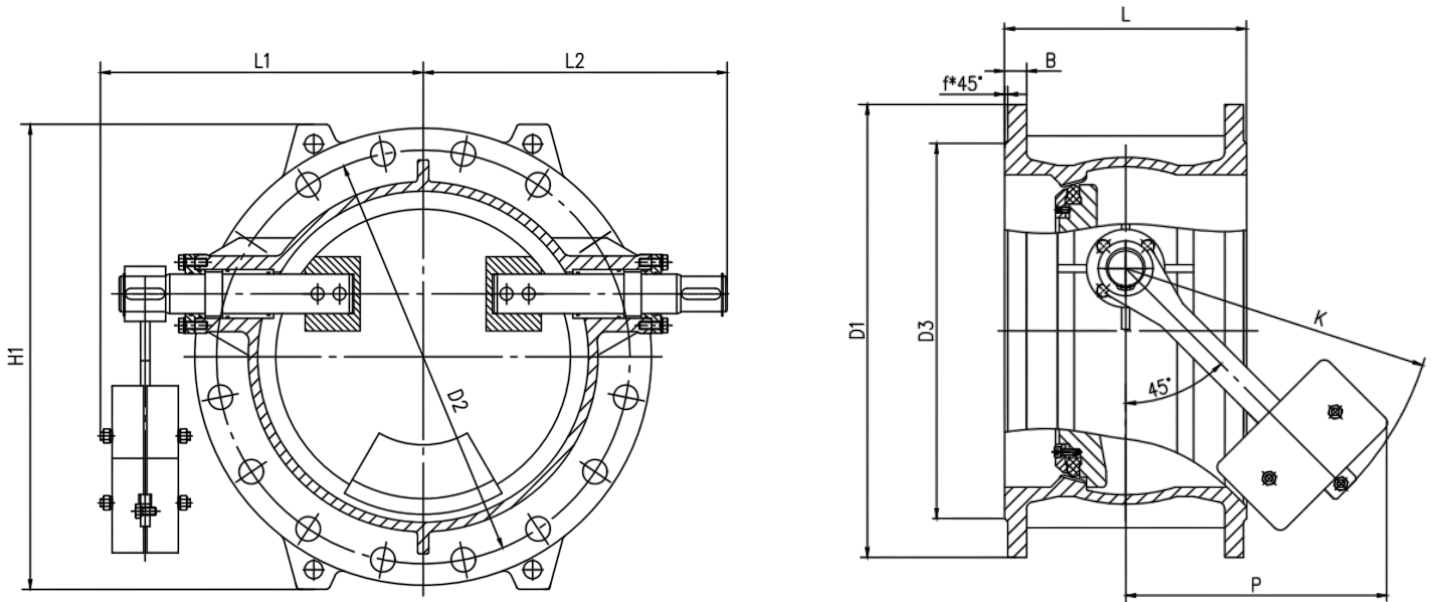
PRODUCTS STANDARDS

Design	EN 12334
Flange	EN 1092-2, BS 4504
Face to face	EN558-1 Series 14 / DIN3202
Tests	EN 12266-1
Working Pressure	PN10/PN16
Max.Temperature	80°C



NO.	MAIN PART	MATERIAL	NO.	MAIN PART	MATERIAL
1	Counterweight	Ductile Iron	10	Disc seal ring	EPDM
2	Lever	WCB welded	11	Flat Key	SS420
3	Shaft	SS420	12	Pin	SS420
4	Flat Key	SS420	13	Disc	Ductile Iron / SS304
5	O-Ring	EPDM	14	Shaft	SS420
6	Gland cover	SS304	15	Retainer ring	SS304
7	Bearing	Al-Bronze	16	Bearing	Al-Bronze
8	Body	Ductile Iron	17	Gland cover	SS304
9	Body seal ring	SS304	18	Bolt	A2-70 / SS304

Designs and specifications shown are subject to change without notice due to our continuing program of product development.



DN/PN	D1	D2	D3	B	f	L	n-d	H1	L1	L2	P	K
200/10	Ø340	Ø295	Ø266	20	3	230	8-Ø23	350	235	230	180	200
250/10	Ø405	Ø350	Ø319	22	3	250	12-Ø23	415	280	270	210	250
300/10	Ø460	Ø400	Ø370	24.5	4	270	12-Ø23	470	320	310	250	300
350/10	Ø520	Ø460	Ø429	26.5	4	290	16-Ø23	530	370	350	300	350
400/10	Ø565	Ø515	Ø480	24.5	4	310	16-Ø28	575	410	385	340	400
450/10	Ø615	Ø565	Ø530	25.5	4	330	20-Ø28	625	455	425	370	450
500/10	Ø670	Ø620	Ø582	26.5	4	350	20-Ø28	680	500	475	420	500
600/10	Ø780	Ø725	Ø682	30	5	390	20-Ø31	790	550	520	490	600
700/10	Ø895	Ø840	Ø794	32.5	5	430	24-Ø31	905	620	485	560	700
800/10	Ø1015	Ø950	Ø901	35	5	470	24-Ø34	1025	690	665	650	800
900/10	Ø1115	Ø1050	Ø1001	37.5	5	510	28-Ø34	1125	770	735	720	900
1000/10	Ø1230	Ø1160	Ø1112	40	5	550	28-Ø37	1240	860	820	790	1000
1200/10	Ø1455	Ø1380	Ø1328	45	5	630	32-Ø41	1465	990	950	850	1200

Designs and specifications shown are subject to change without notice due to our continuing program of product development.

DN/PN	D1	D2	D3	B	f	L	n-d	H1	L1	L2	P	K
200/16	Ø340	Ø295	Ø266	20	3	230	12-Ø23	350	235	230	180	200
250/16	Ø405	Ø355	Ø319	22	3	250	12-Ø28	415	280	270	210	250
300/16	Ø460	Ø410	Ø370	24.5	4	270	12-Ø28	470	320	310	250	300
350/16	Ø520	Ø470	Ø429	26.5	4	290	16-Ø28	530	370	350	300	350
400/16	Ø580	Ø525	Ø480	28	4	310	16-Ø31	590	410	385	340	400
450/16	Ø640	Ø585	Ø548	30	4	330	20-Ø31	650	460	435	370	450
500/16	Ø715	Ø650	Ø609	31.5	4	350	20-Ø34	725	520	490	420	500
600/16	Ø840	Ø770	Ø720	36	5	390	20-Ø37	850	580	540	490	600
700/16	Ø910	Ø840	Ø794	39.5	5	430	24-Ø37	920	645	500	560	700
800/16	Ø1025	Ø950	Ø901	43	5	470	24-Ø41	1035	710	690	650	800
900/16	Ø1125	Ø1050	Ø1001	46.5	5	510	28-Ø41	1135	800	760	720	900
1000/16	Ø1255	Ø1170	Ø1112	50	5	550	28-Ø44	1265	890	840	790	1000
1200/16	Ø1485	Ø1328	Ø1328	57	5	630	32-Ø50	1500	1030	980	850	1200

Designs and specifications shown are subject to change without notice due to our continuing program of product development.