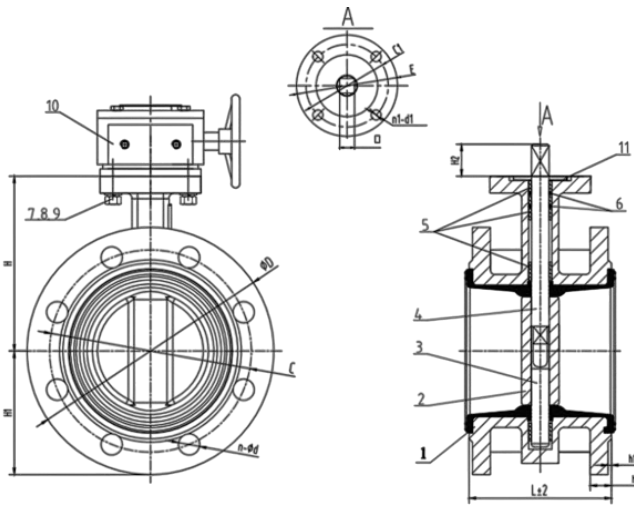


DOUBLE FLANGE CONCENTRIC BUTTERFLY VALVE – MODEL: FIG051



PRODUCTS STANDARDS

Design	EN593/ ISO10631
Flange	EN-1092/2, BS4504
Face to face	EN558-1
Test	EN 12266-1
Working Pressure	PN10/PN16
Max Temp.	80°C



NO.	MAIN PART	MATERIAL
1	Body	DUCTILE IRON + EPDM
2	Disc	DI / SS304 / SS316
3	Shaft	SS304 / SS316 / SS420
4	Shaft	SS304 / SS316 / SS420
5	Bush	PTFE
6	O Ring	EPDM
7	Nut	SS304 / SS316
8	Flat Washer	SS304 / SS316
9	Spring Washer	SS304 / SS316
10	Gear Box	DUCTILE IRON
11	Jump Ring	SS304 / SS316

DN	L	H	H1	ISO 5211				PN10			PN16		
				Top Flange	øE	øC1	N1-ød1	øD	øC	n-ød	øD	øC	n-ød
40	108	127.5	82.5	F05	65	50	4-ø8	150	110	4-ø19	150	110	4-ø19
50	108	127.5	82.5	F05	65	50	4-ø8	165	125	4-ø19	165	125	4-ø19
65	112	136	90	F05	65	50	4-ø8	185	145	4-ø19	185	145	4-ø19
80	114	146	100	F05	65	50	4-ø8	200	160	8-ø19	200	160	8-ø19
100	127	154	114	F07	90	70	4-ø10	220	180	8-ø19	220	180	8-ø19
125	140	176	125	F07	90	70	4-ø10	250	210	8-ø19	250	210	8-ø19
150	140	186.5	156.5	F07	90	70	4-ø10	285	240	8-ø23	285	240	8-ø23
200	152	226	169	F10	125	102	4-ø12	340	295	8-ø23	340	295	12-ø23
250	165	274	202.5	F10	125	102	4-ø12	395	350	12-ø23	405	355	12-ø28
300	178	308	236	F10	125	102	4-ø12	445	400	12-ø23	460	410	12-ø28
350	190	330	260	F10	125	102	4-ø12	505	460	16-ø23	520	470	16-ø28
400	216	340	293	F14	175	140	4-ø18	565	515	16-ø28	580	525	16-ø31
450	222	400	320	F14	175	140	4-ø18	615	565	20-ø28	640	585	20-ø31
500	229	500	340	F14	175	140	4-ø18	670	620	20-ø28	715	650	20-ø34
600	267	535	435	F16	210	165	4-ø22	780	725	20-ø31	840	770	20-ø37
700	292	570	480	F25	300	254	8-ø18	895	840	24-ø31	910	840	24-ø37
800	318	630	515	F25	300	254	8-ø18	1015	950	24-ø34	1025	950	24-ø40
900	330	685	570	F25	300	254	8-ø18	1115	1050	28-ø34	1125	1050	28-ø40
1000	410	735	643	F25	300	254	8-ø18	1230	1160	28-ø37	1255	1170	28-ø43
1200	470	925	775	F30	350	298	8-ø22	1455	1380	32-ø40	1485	1390	32-ø49

Designs and specifications shown are subject to change without notice due to our continuing program of product development.