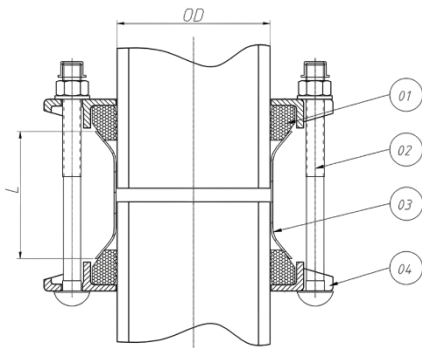


EE – COUPLING – MODEL: FIG08



**PRODUCTS STANDARDS**

Design	BS / DIN / EN/ ISO
Test	EN 12266-1
Working Pressure	PN10/ PN16
Max Temperature	80°C

NO.	MAIN PART	MATERIAL
1	Gasket	EPDM
2	Fastener	GD 4.8
3	Sleeve	STEEL /S.S
4	End ring	DUCTILE IRON

DN	Range (mm)	L (mm)	D (mm)	Bolt	
				Size	Quantity
50	59-72	102	165	M12x180	2
65	72-85	102	185	M12x180	2
80	88-103	102	185	M12x180	4
100	109-128	102	218	M12x180	4
125	132-146	102	250	M12x180	4
150	159-182	102	272	M12x200	4
175	192-210	130	312	M12x200	4
200	218-235	130	335	M12x220	4
250	272-289	130	405	M12x220	6
300	315-332	130	460	M12x220	6
300	322-339	130	435	M12x220	6
350	340-360	150	455	M12x250	6
350	351-368	150	518	M16x250	8
350	374-391	150	568	M16x250	8
400	400-429	150	580	M16x250	8
450	418-435	150	580	M16x250	8
400	425-442	150	625	M16x260	8
450	455-472	150	665	M16x260	10
500	500-532	150	690	M16x260	10
500	527-544	150	715	M16x260	10
500	555-572	150	715	M16x260	10
600	600-630	150	790	M16x260	10

Designs and specifications shown are subject to change without notice due to our continuing program of product development.