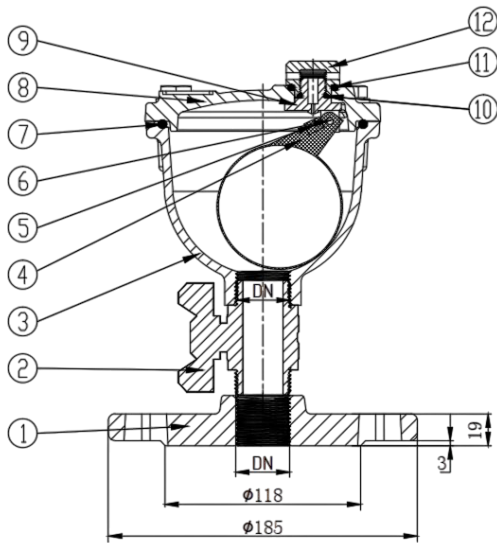


AIR RELEASE VALVE – MODEL: FIG09

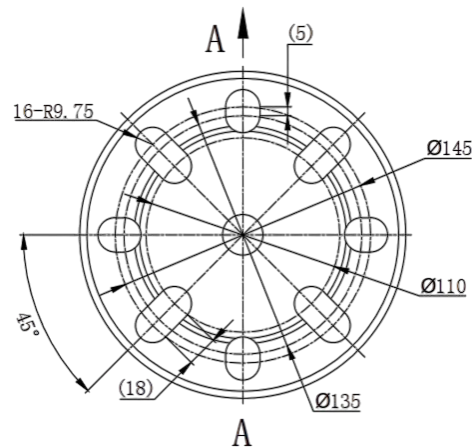
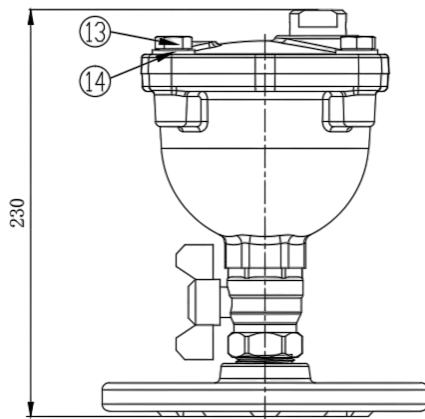


PRODUCTS STANDARDS

Design	BS / ISO / EN
Thread	1" – 2" BSP
Test	EN 12266-1
Working Pressure	PN10/PN16
Max Temp.	80°C



NO.	MAIN PART	MATERIAL
1	Body	DUCTILE IRON
2	Float	ABS / SS304
3	Seat	EPDM
4	Hinge Pin	SS304
5	O Ring	NBR
6	Bonnet	DUCTILE IRON
7	Bracket	BRASS
8	O Ring	NBR
9	O Ring	NBR
10	Cap	BRASS
11	Bolt	C.S / SS304
12	Washer	C.S / SS304



Designs and specifications shown are subject to change without notice due to our continuing program of product development.