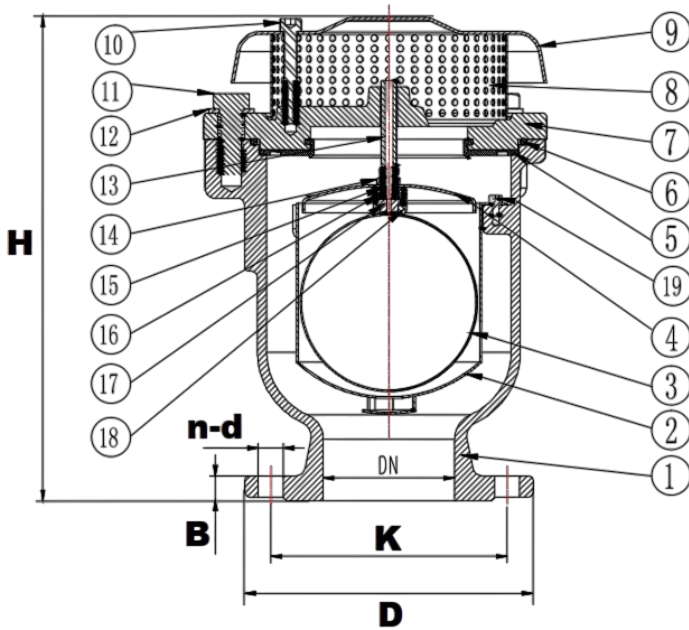


COMBINATION AIR RELEASE VALVE (Anti-shock) – Model: FIG91



PRODUCTS STANDARDS

Design	BS / DIN
Flange	BS4504 / EN 1092-2
Test	EN 12266-1
Working Pressure	PN10/PN16/PN25
Max Temp.	80°C



NO.	MAIN PART	MATERIAL
1	Body	DUCTILE IRON
2	Bushing	AISI304
3	Floating ball	AISI304
4	Disc	AISI304
5	Seal ring	NBR
6	O Ring	NBR
7	Bonnet	DUCTILE IRON
8	Screen	AISI304
9	Dust cover	AISI A36
10	Screw	AISI304
11	Bolt	AISI304
12	Flat washer	AISI304
13	Guide rod	BRASS
14	Nut	AISI304
15	O Ring	NBR
16	Lock nut	BRASS
17	Sealing plug	SI
18	Sealing sleeve	BRASS
19	Screw	AISI304

SIZE	Height	Flange to EN1092-2/ BS4504(mm)							
		End Flange PN10/16				End Flange PN25			
DN	H	D	K	n-d	B	D	K	n-d	B
50	305	165	125	4-Ø19	19	165	125	4-Ø19	19
65	305	185	145	4-Ø19	19	185	145	8-Ø19	19
80	330	200	160	8-Ø19	19	200	160	8-Ø19	19
100	370	220	180	8-Ø19	19	235	190	8-Ø23	19
150	450	285	240	8-Ø23	19	300	250	12-Ø28	20
200	500	340	295	8-Ø23 12-Ø23	20	360	310	12-Ø31	22
250	685	395 405	350 355	12-Ø23 12-Ø28	22	425	370	12-Ø31	24.5
300	780	445 460	400 410	12-Ø23 12-Ø28	24.5	485	430	16-Ø31	27.5

Designs and specifications shown are subject to change without notice due to our continuing program of product development.