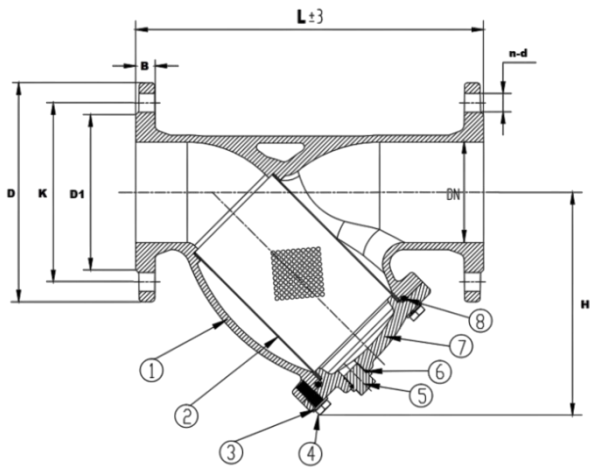


**Y STRAINER – MODEL: FIG04**



**PRODUCTS STANDARDS**

Design	BS / DIN
Flange	BS4504 / EN 1092-2
Face to face	BS2080 / DIN
Test	EN 12266-1
Working Pressure	PN10/PN16/PN25
Max Temp.	80°C

NO.	MAIN PART	MATERIAL
1	Body	DUCTILE IRON
2	Screen	SS AISI304
3	Flat washer	SS AISI304
4	Bolt	SS AISI304
5	Plug	SS AISI304
6	O Ring	NBR
7	Bonnet	DUCTILE IRON
8	O Ring	NBR

DN	Length L		Height H	Flange Dimension (EN1092-2) PN10/16				
	DIN-F1	BS2080		D	K	n-d	D1	B
40	200	–	120	150 / 150	110 / 110	4-Ø19 / 4-Ø19	84 / 84	19 / 19
50	230	220	140	165 / 165	125 / 125	4-Ø19 / 4-Ø19	99 / 99	19 / 19
65	290	720	175	185 / 185	145 / 145	4-Ø19 / 4-Ø19	118 / 118	19 / 19
80	310	290	200	200 / 200	160 / 160	8-Ø19 / 8-Ø19	132 / 132	19 / 19
100	350	350	225	220 / 220	180 / 180	8-Ø19 / 8-Ø19	156 / 156	19 / 19
125	400	390	260	250 / 250	210 / 210	8-Ø19 / 8-Ø19	184 / 184	19 / 19
150	480	440	310	285 / 285	240 / 240	8-Ø23 / 8-Ø23	211 / 211	19 / 19
200	600	540	390	340 / 340	295 / 295	8-Ø23 / 12-Ø23	266 / 266	20 / 20
250	730	660	480	405 / 405	350 / 355	12-Ø23 / 12-Ø23	319 / 319	22 / 22
300	850	270	560	460 / 460	400 / 410	12-Ø23 / 12-Ø28	370 / 370	24.5 / 24.5
350	980	–	613	520 / 520	460 / 470	16-Ø23 / 16-Ø28	429 / 429	27 / 27
400	1100	–	691	580 / 580	515 / 525	16-Ø28 / 16-Ø31	480 / 480	28 / 28
450	1200	–	765	640 / 640	565 / 585	20-Ø28 / 20-Ø31	548 / 548	30 / 30
500	1250	–	850	715 / 715	620 / 650	20-Ø28 / 20-Ø34	609 / 609	32 / 32
600	1450	–	986	840 / 840	725 / 770	20-Ø31 / 20-Ø37	720 / 720	36 / 36
700	1090	–	840	910 / 910	840 / 840	24-Ø31 / 24-Ø37	795 / 795	37 / 37
800	1285	–	1010	1025 / 1025	950 / 950	24-Ø33 / 24-Ø40	900 / 900	39 / 39
900	1410	–	1125	1125 / 1125	1050 / 1050	28-Ø34 / 28-Ø40	1000 / 1000	40 / 40
1000	1550	–	1245	1255 / 1255	1160 / 1160	28-Ø37 / 28-Ø43	1112 / 1112	42 / 42
1200	1835	–	1475	1485 / 1485	1380 / 1380	32-Ø40 / 32-Ø49	1328 / 1328	47 / 47

Designs and specifications shown are subject to change without notice due to our continuing program of product development.